

SPI TO I²C MASTER

By

Mr. Unknown

SPI to I²C Bridge Features

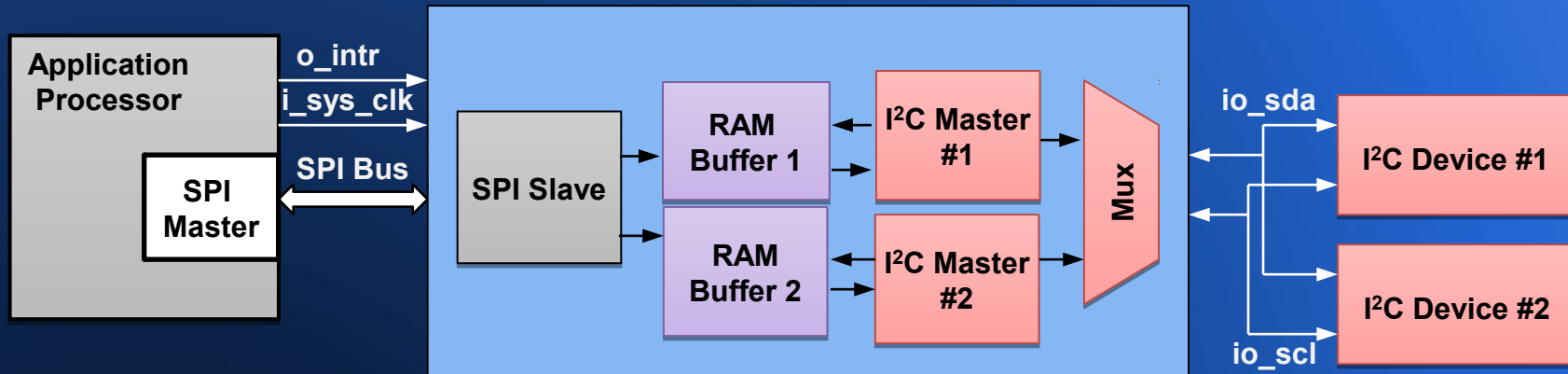
➤ SPI Slave

- Operating frequency up to 50MHz
- Supports all CPOL/CPHA Modes
- Internal data buffer of 2K Bytes

➤ I²C Master

- STD and FAST modes
 - 100KHz and 400KHz
- 7-bit address support
- Multi-byte read/write support

SPI to I²C Bridge Architecture



Thanks!